

WATER POOL DISINFECTION

SALT CHLORINATOR

Swimming pool water disinfection system that uses salt to produce chlorine. This system is an alternative to the use of chlorine powder or liquid chlorine.



Practical and Efficient Swimming Pool Solution



SAFE & CONVENIENT

Salt chlorine is generally considered safer and more convenient than powdered chlorine and liquid chlorine as it is non-irritating to the skin and eyes.



ENVIRONMENTALLY FRIENDLY

Salt chlorine is considered more environmentally friendly than powdered chlorine and liquid chlorine because it produces less harmful by-products.



EASY TO USE

Salt chlorine systems are generally easier to use than powdered chlorine and liquid chlorine.

WHAT IS SALT CHLORINE?

MPC2 salt chlorinator improves your pool water quality by using harmless table salt, instead of using harsh chemicals, it is reliable, low maintenance, much more safety to health. Easy and simple programming and fully automatic operation lets you enjoy a relaxed swimming time.

ABOUT PRODUCT

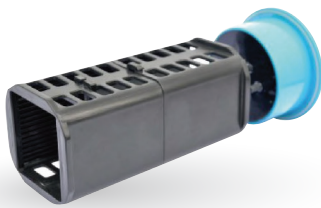
Salt chlorinators are an alternative means of sanitizing your pool with chlorine by electrolysis process. The electrolysis process is achieved by passing the salty water through an electrolytic cell, sodium chlorine in the water is converted into chlorine to achieve pool water disinfection.

CONTACT US

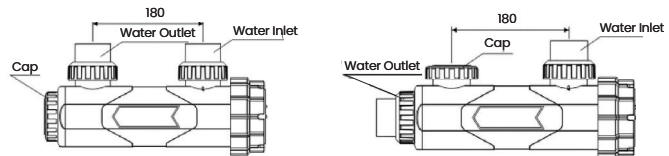


MPC2 Salt Chlorinator Control Panel

The JSC2 salt chlorinator boasts a self-cleaning function that automatically reverses polarity to prevent calcium buildup on the cell plates, extending its lifespan. This eco-friendly system also features six different chlorine output levels for easy adjustment based on your pool's needs and time of year, saving energy and minimizing environmental impact. Additionally, the MPC2 offers timers for both your pool pump and underwater light, while the smart cooling system automatically adjusts fan intensity based on the internal control box temperature. Safety features include protection against low water flow that could damage the generator or cell, two convenient installation options, overheat protection for the control system, and an alarm system that alerts you to both excessively high or low salt levels in your pool. The detachable titanium panels are easy to clean and maintain, and the replaceable temperature sensor reduces overall maintenance costs.

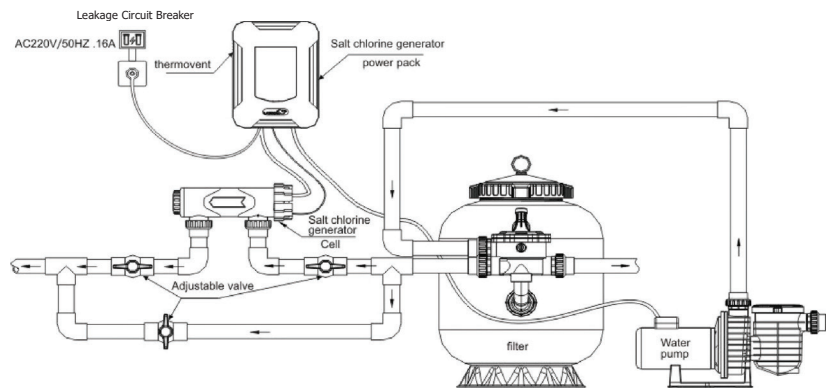


Humanized design of two outlets



Titanium panels with fast, efficient and stable chlorine output

- Titanium panels with coating enable to generator chlorine fast, efficiently and stably.
- Cell housing is made of high strength and Corrosion-resistant PC, which prolong the life time.
- Detachable titanium panels are easy to install, clean and daily maintain.
- Two optional outlets make installation more convenient.



Model	Electrolytic cell dimensions LxWxH (mm)	Max Chlorine output (g/h)	Voltage (v)	Total Power (Kw)	Pump Power (Max)	Light Power (Max)	Max Pool Volume (m ²)
MPC2-16	365x260x140	16	AC220~240V	1.70	1.5KW/6.8A	AC12V/100W	68
MPC2-25		25		1.75			105
MPC2-33		33		1.80			140
MPC2-42		42		1.85			175

Note : In practice, the local pool standards and professional habits should be considered, and the adjusting allowance of 20-30% should be reserved. For outdoor pool, cyanuric acid (stabilizer) should be added to pool water, the ideal range for cyanuric acid is 25-50ppm when used.