



# Fulflo Pressure Pump

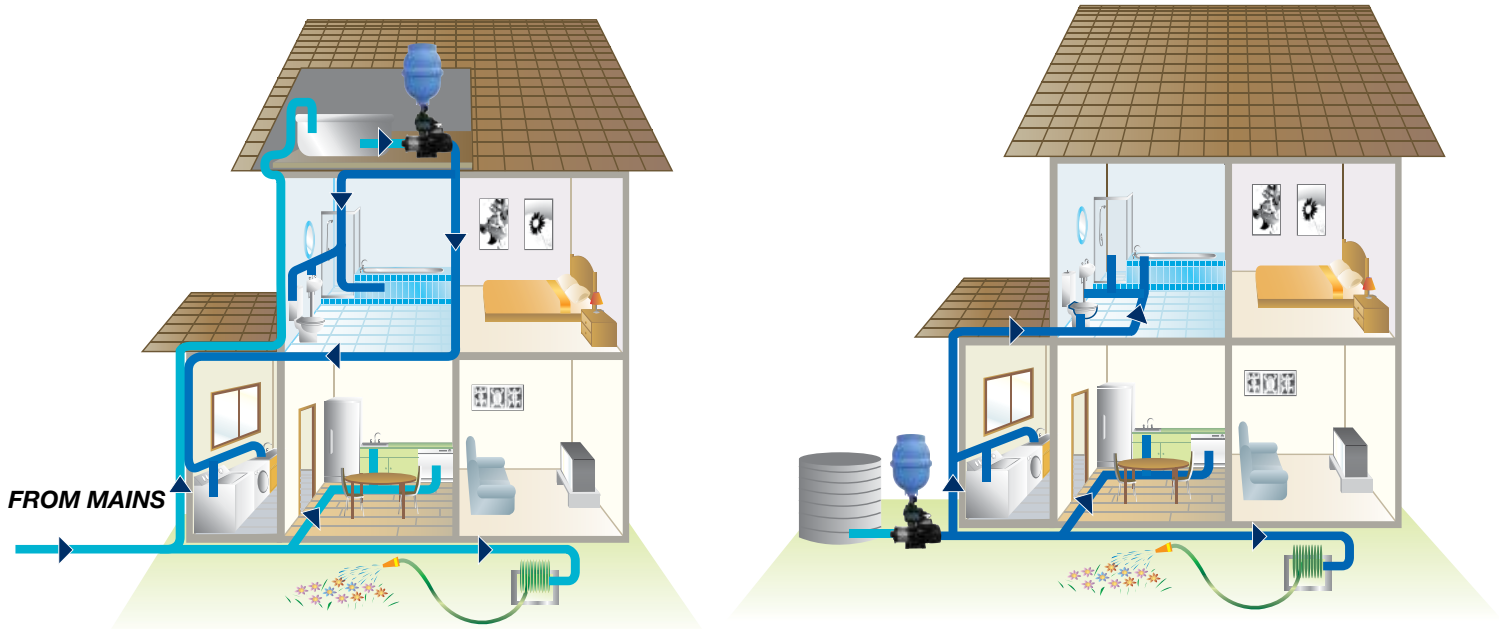
Fulflo pressure pumps are mini horizontal centrifugal pumps, designed to provide reliable water pressure throughout your entire home.

- Maintain constant water pressure from every tap
- Eliminate temperature fluctuations
- Energy efficient design
- Simple to operate and maintain
- Compact and easy to install

## Fulflo Pressure Pumps

Fulflo pressure pumps intelligently maintains ideal water pressure throughout the home, no matter how many outlets are in use. They are an ideal solution for houses with low water pressure, as well as larger homes with families who operate multiple water outlets at once.

Suitable for both hot and cold water, Fulflo pressure pumps eliminates fluctuations in temperature and flow rate often experienced with pump cycling.





### **Energy Saving Pressure Pack**

Fulflo pressure pumps can operate with or without a pressure pack. A pressure pack will decrease the energy costs of running the system as the pump will operate when the pack is empty and stop once it is full.

### **Intelligent Pump Control**

The intuitive design of the Fulflo's intelligent pump controller constantly monitors and automatically regulates the amount of water entering the system to provide your household with optimum water flow. It is simple to setup and maintain.

### **Long Life Motor**

- Single-phase: 220-240V/50Hz
- Single-phase with input thermal protector
- Insulation class: F
- Protection: IP55
- Continuous duty

### **Energy Efficient Impeller**

The pump's impeller design maximizes the pump's hydraulic efficiency. It is constructed from stainless steel to ensure long lasting reliability and to withstand a wide range of temperatures.

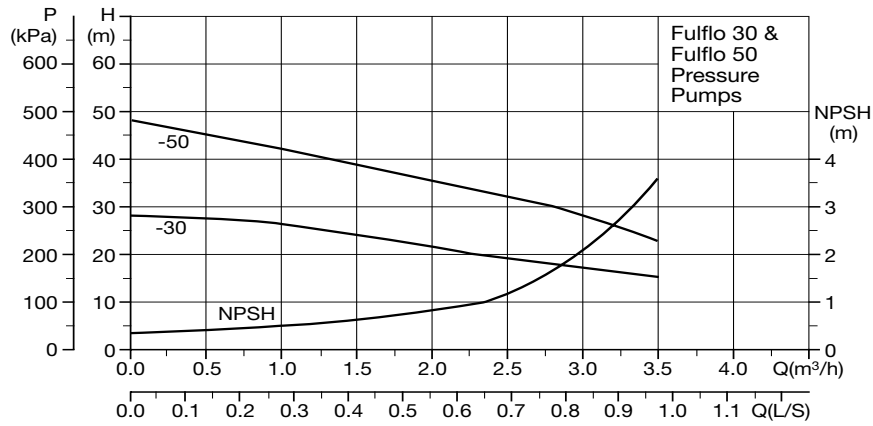
### **25mm Suction and Delivery**

### **Warranty**

Fulflo Pressure Pumps are covered by a 12 months warranty against faulty materials and workmanship.

\* Pressure packs are available in 4 litre sizes.

## Performance Curve

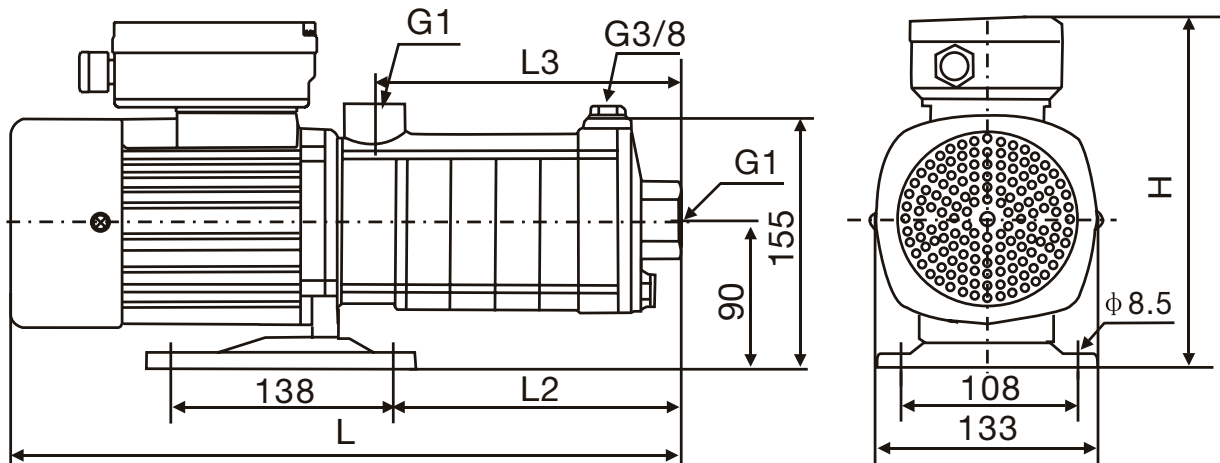


## Technical Specifications

Model	Driving motor $P_2$ (kW)	Q ( $m^3/h$ )	1.0	1.5	2.0	2.5	3.0	3.5
Single Phase			H (m)					
Fulflo 30 Pressure Pump	0.37		27	24	21	20	17	14
Fulflo 50 Pressure Pump	0.55		43	40	35	33	28	22

Phase	Volts	Cycle	Rpm
1	220-240	50	2900

## Dimension



Model	$P_2$ (kW)	Size (mm)				
		Single Phase				
		L	L2	L3	H	B (in)
Fulflo 30 Pressure Pump	0.37	344	108	118	210	G1
Fulflo 50 Pressure Pump	0.55	380	144	154	210	G1

### SHOW ROOM & MARKETING

#### POOLSPA MART INDONESIA

Jl. Bulevar Selatan, Bekasi Utara, Sumarecon

Mobile : 0818-919-597

Website : [www.poolspamartindonesia.com](http://www.poolspamartindonesia.com)

### HEAD OFFICE & SERVICE CENTRE

#### PT. PERSADA CAHAYA MULIA INDONESIA

Website : [www.watercocentral.com](http://www.watercocentral.com)

**WATERCO** | **CENTRAL**  
water the liquid of life | I N D O N E S I A



**POOLSPA MART**  
INDONESIA