

TURBOFLO AQUA **PUMPS**

Turboflo Aqua is a hydraulically efficient, high performance pump designed for KOI ponds that require a low speed, high powered pump.

Turboflo Aqua pumps are equipped with marine grade seals and manufactured for maximum reliability, efficiency and performance.

It has an adjustable wet end which can be configured to suit up to 5 different plumbing conditions.



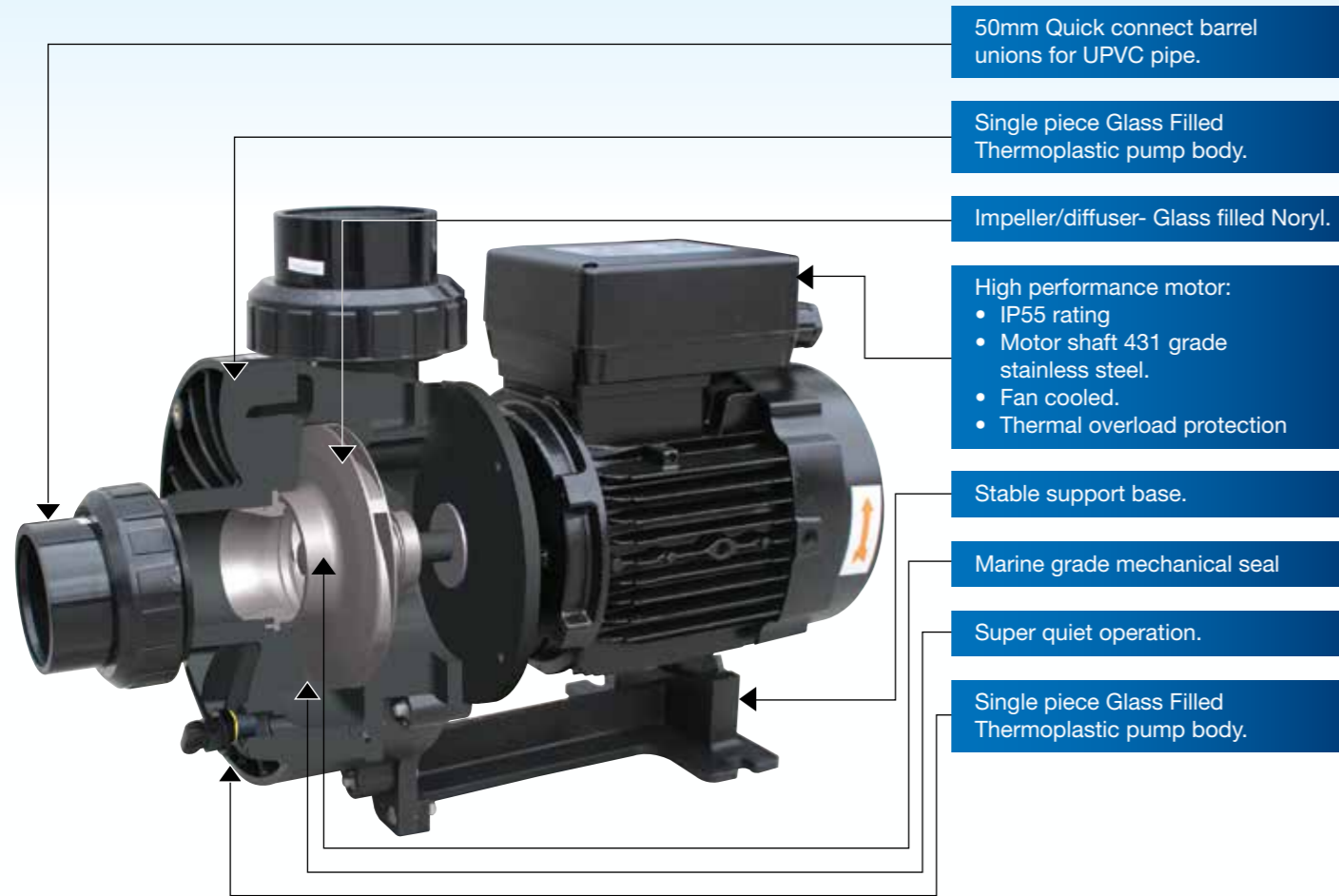
SUPER QUIET

Efficient Impeller and Diffuser Design

The design of the adjustable wet end makes the pump very quiet during operation, and the Noryl impeller provides maximum strength and durability. Turboflo Aqua's motor delivers optimum performance while still being very low on energy consumption.

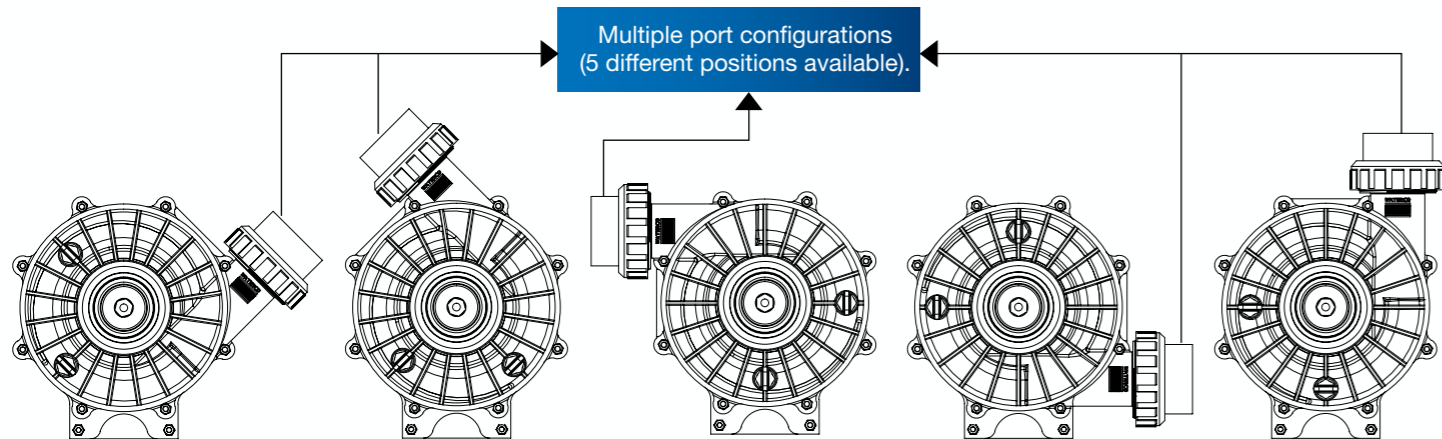
Engineered Durability

The pump body is manufactured utilising state of the art engineering plastic moulding.

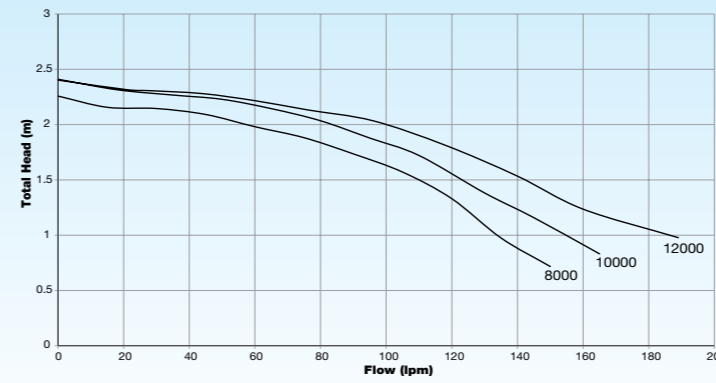


Adjustable wet end

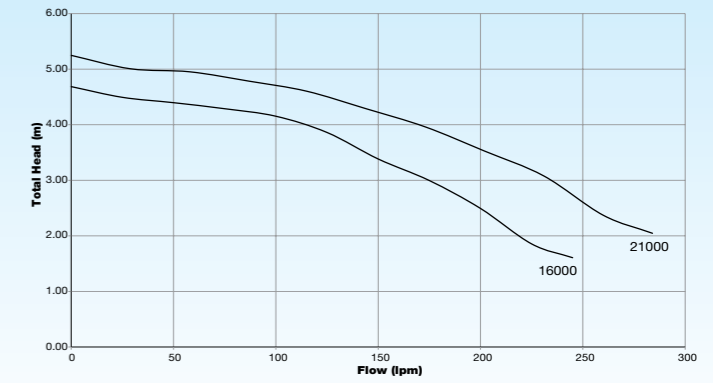
The Turboflo Aqua pump features an adjustable wet end, meaning the 50mm outlet can be placed in five different positions for easy connection to existing rigid pipe work.



Flow Curves



Sound Levels

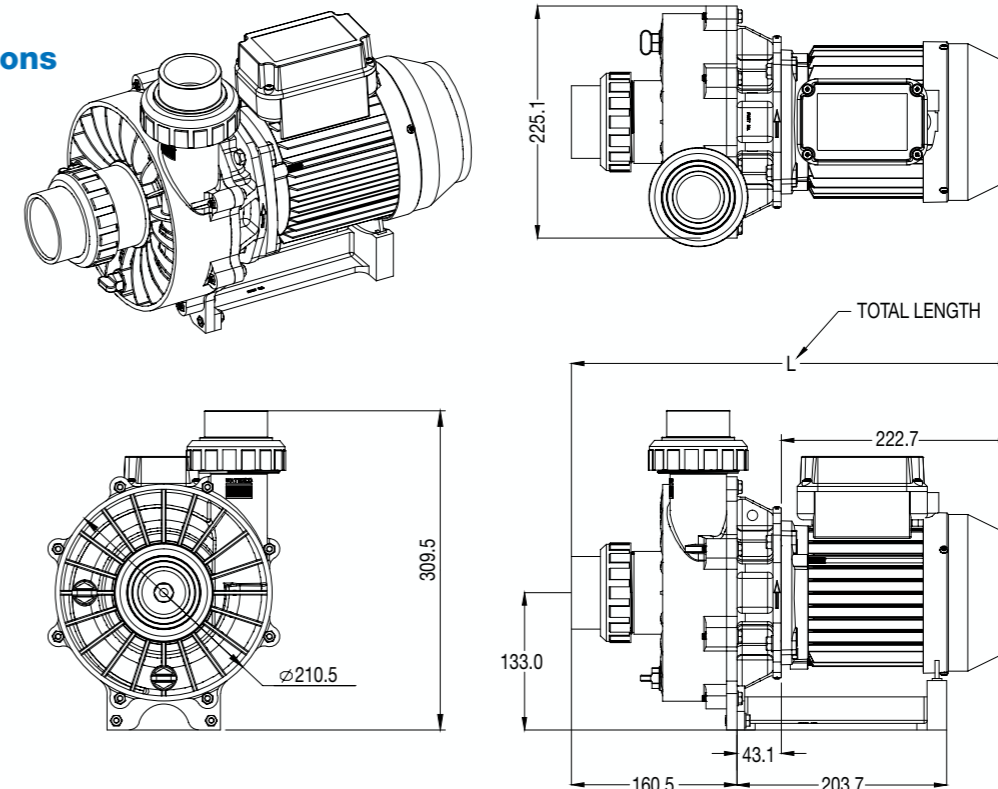


Technical Specifications

Model	Nominal Power (hp)	Motor Input (kW)	Amps / Phase	Phase	Total Length (mm)	Motor RPM	Weight (kg)
Turboflo Aqua 8000	0.129	132	4.1	1	445	1400	10.4
Turboflo Aqua 10000	0.135	132	4.5	1	445	1400	10.4
Turboflo Aqua 12000	1.140	132	5.9	1	445	1400	13.4
Turboflo Aqua 16000	0.283	263	6.4	1	445	1400	13.4
Turboflo Aqua 21000	0.336	263	7.2	1	445	1400	14.6

Phase	Volts	Cycle	RPM
1	220-240	50	1400

Dimensions



Warranty

Pumps	3 years (conditional)
Wet End	3 years
Motor, Mechanical seal, Impeller & diffuser	2 years
Commercial applications	1 years
Labour	1 years

* Please refer to Waterco's warranty terms and conditions



Established since 1981, Waterco is an Australian public listed company involved in the manufacture and distribution of:

- Swimming pool/spa equipment and chemicals
- Domestic water filters, softeners and purifiers
- Commercial and Industrial water treatment equipment.

Waterco's research & development team has created an innovative range of award winning products.

The company's advanced fibreglass winding and pioneering plastic moulding techniques have delivered premium quality products to over 40 countries via its branches operating in Australia, New Zealand, Malaysia, China, the United Kingdom, United States of America, Canada, Indonesia and Singapore.



SHOW ROOM & MARKETING

POOLSPA MART INDONESIA

Jl. Bulevar Selatan, Bekasi Utara, Summarecon

Mobile : 0818-919-597

website : poolspamartindonesia.com

HEAD OFFICE & SERVICE CENTRE

PT. PERSADA CAHAYA MULIA INDONESIA

website : www.watercocentral.com

WATERCO | **CENTRAL**
water the liquid of life | I N D O N E S I A



SPASA
AUSTRALIA MEMBER