

# FULFLO TRI

## CARTRIDGE FILTERS



*The ultimate in pool water clarity*

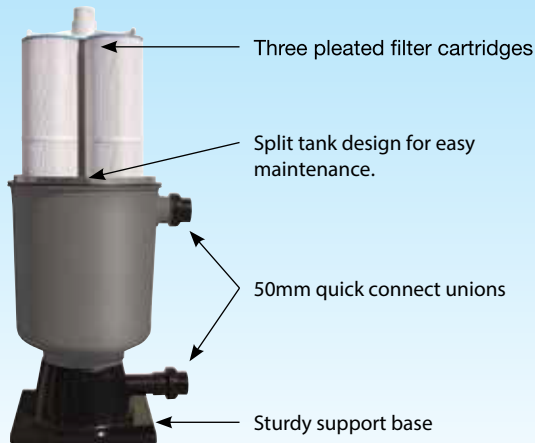
Fulflo Tri Cartridge Filters are designed to effectively filter out suspended solids from your pool.

Fulflo Tri-cartridge filter houses three individual pleated filter cartridges, maximising its dirt holding capacity and minimising filter maintenance, leading to significant water savings.

Fulflo Tri Cartridge Filters are ideal for applications where backwashing may not be practical or areas where water may be scarce.

## Construction

Built to endure the rigours and pressures of the outdoor environment, Fulflo Tri Cartridge Filters are made from specially engineered polymers that have been tested for durability and strength.



## Filter Cartridge

At the heart of the Fulflo Tri Cartridge Filters are three individual filter cartridges, constructed from heavy duty, easy-to-clean polyester fabric. The cartridge's pleats create a large surface area providing a high dirt holding capacity, thus decreasing its cleaning frequency.



Filter Rating: 30 Microns (nominal)

Material: Polyester Fabric material, Vinyl Plastisol end caps and a Polypropylene core

Operating Temperature: 4°C to 50 °C

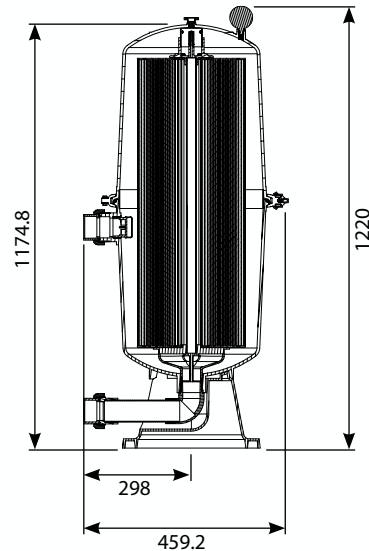
Maximum Pressure Drop: 20 kPa

## Maintenance

When cleaning is required the Fulflo Tri Cartridge Filters split tank design incorporates an easy to use clamp that requires no additional tools for simple cartridge removal and replacement, allowing for quick access to the filter cartridge without disturbing the piping and connections.

Model No.	Filter Area (sq.ft.)	Filter Area (m <sup>2</sup> )	Design Flow Rate (lpm)	Max. Pool Size (litres)	Max. Working
2165300	300	28	426	152640	350 kPa
2165400	400	37	510	183600	350 kPa
2165500	500	46	510	183600	350 kPa

## Technical Specifications



## Warranty

This unit is covered by a 10 year (5+5) year tank warranty against faulty materials and workmanship, with a 12 month warranty on all other components. Please refer to the detailed warranty booklet provided.

### SHOW ROOM & MARKETING

#### POOLSPA MART INDONESIA

Jl. Bulevar Selatan, Bekasi Utara, Summarecon

Mobile : 0818-919-597

website : poolspamartindonesia.com

### HEAD OFFICE & SERVICE CENTRE

#### PT. PERSADA CAHAYA MULIA INDONESIA

website : www.watercocentral.com

**WATERCO** | **CENTRAL**  
water the liquid of life | INDONESIA



**SPASA**  
AUSTRALIA MEMBER